

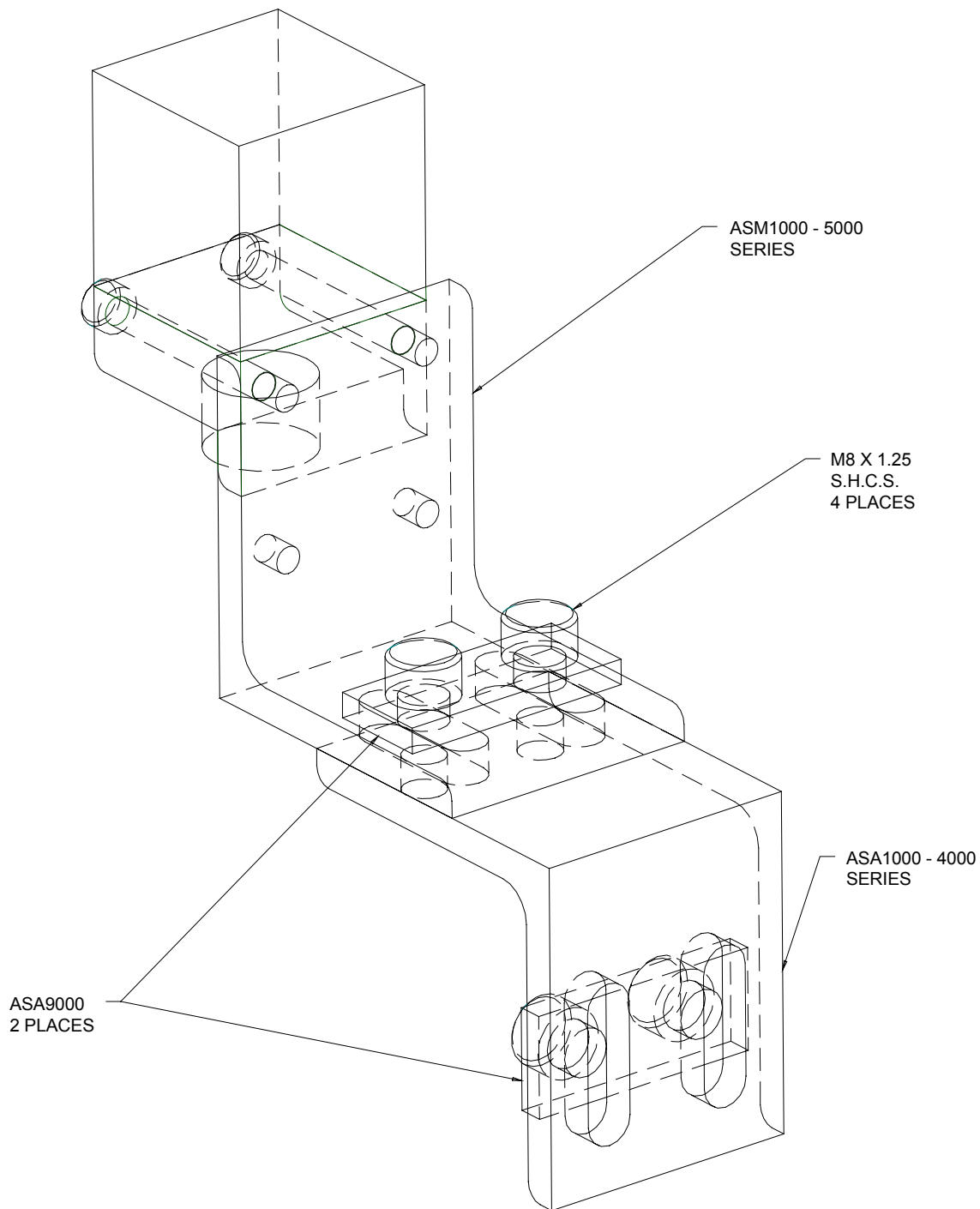
SWITCH MOUNTING COMPONENTS INDEX

PAGE	DATE	NAAMS CODE	DESCRIPTION
T-1	11/11/11		Switch Mounting Components Index
T-2	08/03/07		Switch Mounting Assembly
T-3	08/03/07	ASM1025 - 1155	Switch Mounting Brackets ASM1000 Series
T-4	08/03/07	ASM2025 - 2155	Switch Mounting Brackets ASM2000 Series
T-5	08/03/07	ASM3085 - 3115	Switch Mounting Brackets ASM3000 Series
T-6	08/03/07	ASM4085 - 4125	Switch Mounting Brackets ASM4000 Series
T-7	08/03/07	ASM5050 - 5110	Switch Mounting Brackets ASM5000 Series
T-8	08/03/07	ASM6015	Switch Mounting Brackets ASM6015
T-9	08/03/07	ASA1050 - 1150	Switch Mounting Brackets ASA1000 Series
T-10	08/03/07	ASA2050 - 2150	Switch Mounting Brackets ASA2000 Series
T-11	08/03/07	ASA3025 - 3125	Switch Mounting Brackets ASA3000 Series
T-12	08/03/07	ASA4025 - 4125	Switch Mounting Brackets ASA4000 Series
T-13	08/03/07	ASA5025	Switch Adaptor Bracket ASA5025
T-14	08/03/07	ASA6040	Switch Adaptor Bracket ASA6040
T-15	08/03/07	ASA7050	Switch Adaptor Bracket ASA7050
T-16	08/03/07	ASA8050	Switch Adaptor Bracket ASA8050
T-17	08/03/07	ASA9000	Switch Adaptor Bracket Plate ASA9000
T-18	05/11/11	ASC0001	Switch Cover
T-19	11/11/11	ASC0010	Tap Pad
T-20	11/11/11	ASC0011	Base
T-21	11/11/11	ASC0145, 0195, 0245, 0295, 0345	Pin

SWITCH MOUNTING ASSEMBLY

A

EXCEPT AS NOTED TOLERANCES SHALL BE:
1 PLACE FABRICATION ± 1.5
1 PLACE MACHINING ± 0.3
2 PLACE BETWEEN HOLES ± 0.13
MATERIAL: STEEL ASTM A-36
SEE PAGE B-1.1 FOR GLOBAL MATERIALS CHART

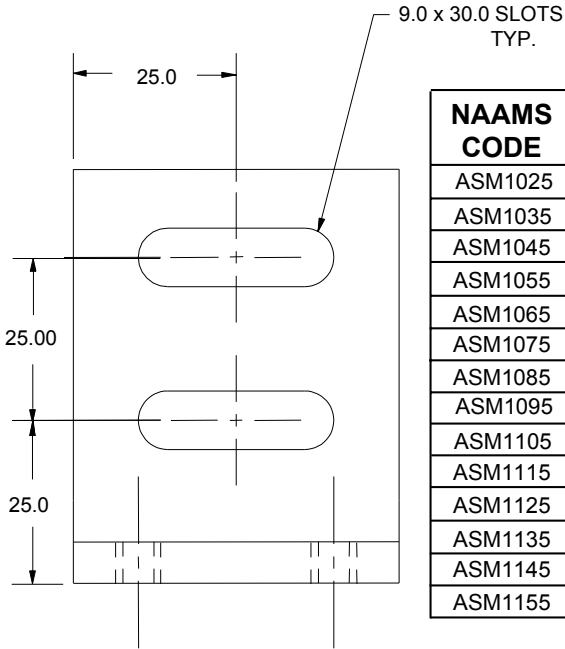


SWITCH MOUNTING BRACKETS ASM1000 SERIES

EXCEPT AS NOTED TOLERANCES SHALL BE:
1 PLACE FABRICATION ± 1.5
1 PLACE MACHINING ± 0.3
2 PLACE BETWEEN HOLES ± 0.13
MATERIAL: STEEL ASTM A-36
SEE PAGE B-1.1 FOR GLOBAL
MATERIALS CHART

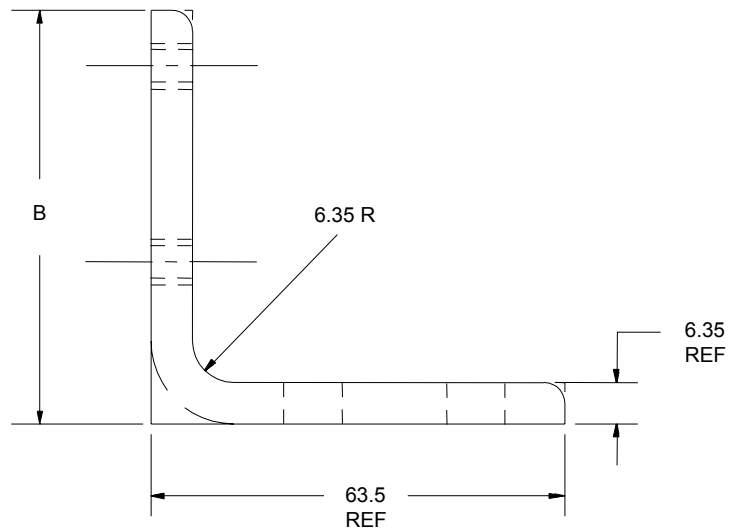
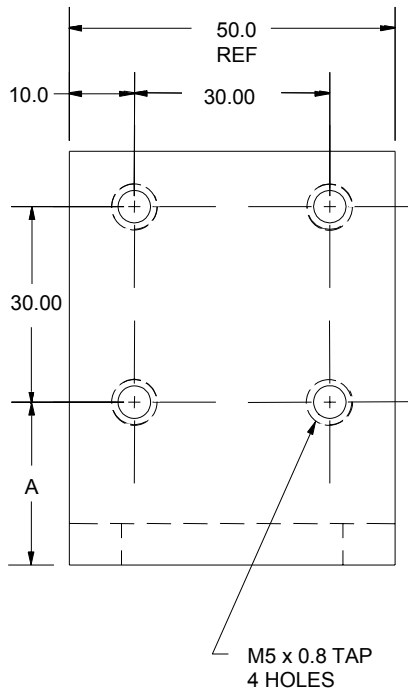
BLACK OXIDE
OR PAINT

B



NAAMS CODE	A	B	STOCK LIST	kg/m	Length mm	Weight kg
ASM1025	25.0	63.5	2½" x 2½" x ¼" x 50mm LG.	5.95	50	0.30
ASM1035	35.0	76.2	2½" x 3" x ¼" x 50mm LG.	6.70	50	0.34
ASM1045	45.0	88.9	2½" x 3½" x ¼" x 50mm LG.	7.29	50	0.36
ASM1055	55.0	95.0	¼" x 2" x 146.0mm LG.	2.54	146	0.37
ASM1065	65.0	105.0	¼" x 2" x 156.0mm LG.	2.54	156	0.40
ASM1075	75.0	115.0	¼" x 2" x 166.0mm LG.	2.54	166	0.42
ASM1085	85.0	125.0	¼" x 2" x 176.0mm LG.	2.54	176	0.45
ASM1095	95.0	135.0	¼" x 2" x 186.0mm LG.	2.54	186	0.47
ASM1105	105.0	145.0	¼" x 2" x 196.0mm LG.	2.54	196	0.50
ASM1115	115.0	155.0	¼" x 2" x 206.0mm LG.	2.54	206	0.52
ASM1125	125.0	165.0	¼" x 2" x 216.0mm LG.	2.54	216	0.55
ASM1135	135.0	175.0	¼" x 2" x 226.0mm LG.	2.54	226	0.57
ASM1145	145.0	185.0	¼" x 2" x 236.0mm LG.	2.54	236	0.60
ASM1155	155.0	195.0	¼" x 2" x 246.0mm LG.	2.54	246	0.62

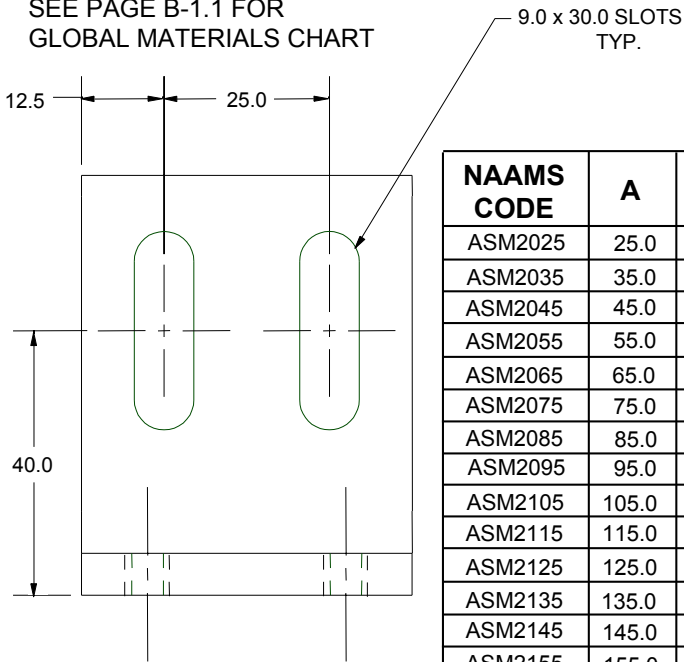
A



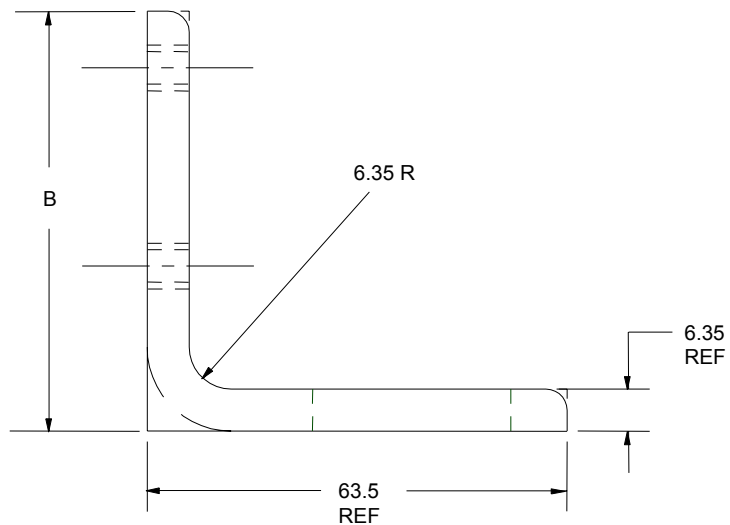
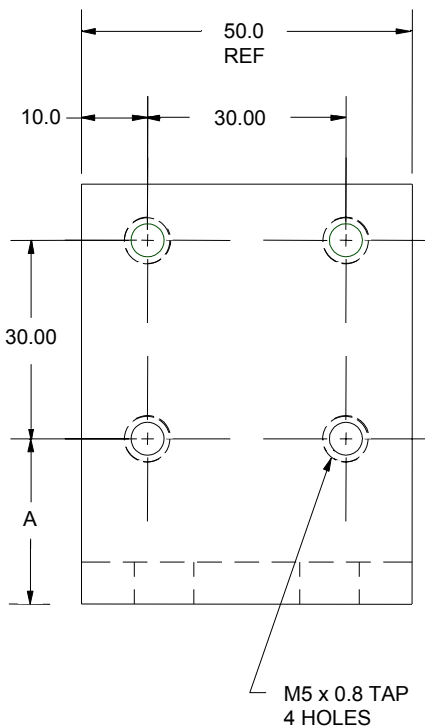
SWITCH MOUNTING BRACKETS ASM2000 SERIES

EXCEPT AS NOTED TOLERANCES SHALL BE:
1 PLACE FABRICATION ± 1.5
1 PLACE MACHINING ± 0.3
2 PLACE BETWEEN HOLES ± 0.13
MATERIAL: STEEL ASTM A-36
SEE PAGE B-1.1 FOR
GLOBAL MATERIALS CHART

BLACK OXIDE
OR PAINT



NAAMS CODE	A	B	STOCK LIST	kg/m	Length mm	Weight kg
ASM2025	25.0	63.5	2½" x 2½" x ¼" x 50mm LG.	5.95	50	0.30
ASM2035	35.0	76.2	2½" x 3" x ¼" x 50mm LG.	6.70	50	0.34
ASM2045	45.0	88.9	2½" x 3½" x ¼" x 50mm LG.	7.29	50	0.36
ASM2055	55.0	95.0	¼" x 2" x 146.0mm LG.	2.54	146	0.37
ASM2065	65.0	105.0	¼" x 2" x 156.0mm LG.	2.54	156	0.40
ASM2075	75.0	115.0	¼" x 2" x 166.0mm LG.	2.54	166	0.42
ASM2085	85.0	125.0	¼" x 2" x 176.0mm LG.	2.54	176	0.45
ASM2095	95.0	135.0	¼" x 2" x 186.0mm LG.	2.54	186	0.47
ASM2105	105.0	145.0	¼" x 2" x 196.0mm LG.	2.54	196	0.50
ASM2115	115.0	155.0	¼" x 2" x 206.0mm LG.	2.54	206	0.52
ASM2125	125.0	165.0	¼" x 2" x 216.0mm LG.	2.54	216	0.55
ASM2135	135.0	175.0	¼" x 2" x 226.0mm LG.	2.54	226	0.57
ASM2145	145.0	185.0	¼" x 2" x 236.0mm LG.	2.54	236	0.60
ASM2155	155.0	195.0	¼" x 2" x 246.0mm LG.	2.54	246	0.62

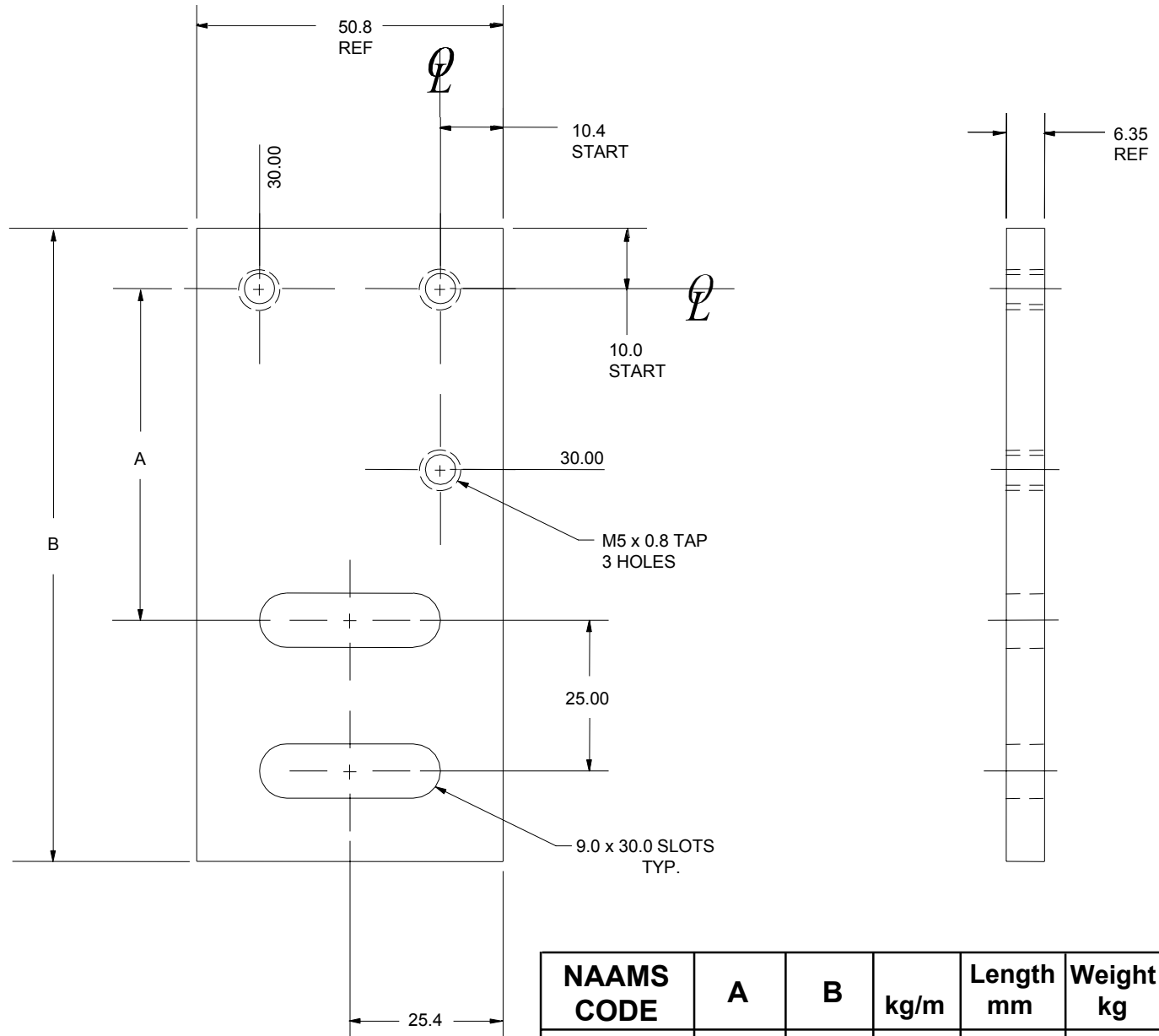


SWITCH MOUNTING BRACKETS ASM3000 SERIES

EXCEPT AS NOTED TOLERANCES SHALL BE:
1 PLACE FABRICATION ± 1.5
1 PLACE MACHINING ± 0.3
2 PLACE BETWEEN HOLES ± 0.13
MATERIAL: STEEL ASTM A-36
SEE PAGE B-1.1 FOR GLOBAL MATERIALS CHART

BLACK OXIDE
OR PAINT

B



A

NAAMS CODE	A	B	kg/m	Length mm	Weight kg
ASM3085	85.0	135.0	2.54	135	0.34
ASM3095	95.0	145.0	2.54	145	0.37
ASM3105	105.0	155.0	2.54	155	0.39
ASM3115	115.0	165.0	2.54	165	0.42

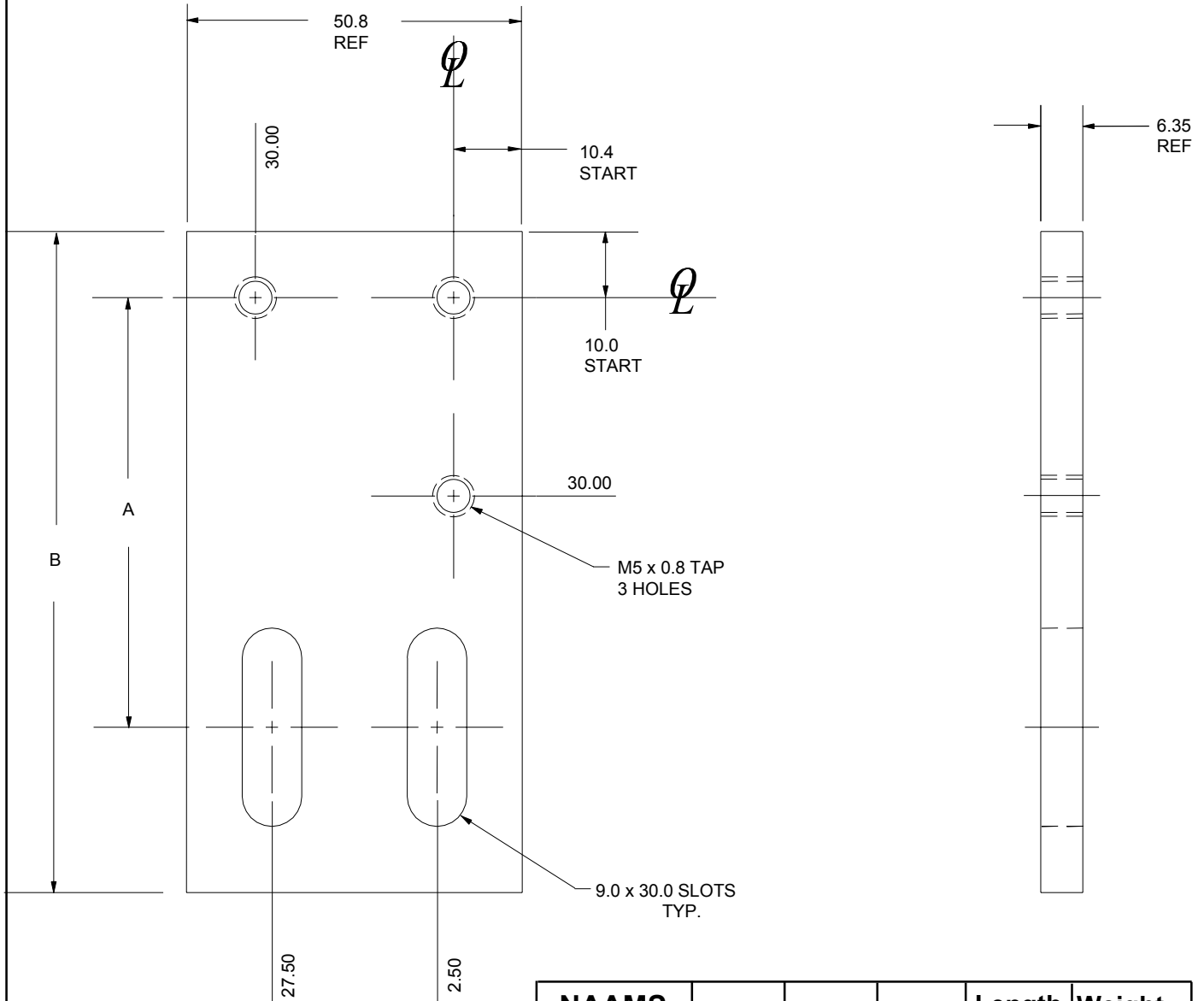
MAT'L: 1/4" x 2" x B MM LG.

SWITCH MOUNTING BRACKETS ASM4000 SERIES

B

EXCEPT AS NOTED TOLERANCES SHALL BE:
1 PLACE FABRICATION ± 1.5
1 PLACE MACHINING ± 0.3
2 PLACE BETWEEN HOLES ± 0.13
MATERIAL: STEEL ASTM A-36
SEE PAGE B-1.1 FOR GLOBAL MATERIALS CHART

BLACK OXIDE
OR PAINT



NAAMS CODE	A	B	kg/m	Length mm	Weight kg
ASM4085	85.0	120.0	2.54	120	0.30
ASM4095	95.0	130.0	2.54	130	0.33
ASM4105	105.0	140.0	2.54	140	0.36
ASM4115	115.0	150.0	2.54	150	0.38
ASM4125	125.0	160.0	2.54	160	0.41

A

MAT'L: 1/4" x 2" x B MM LG.

SWITCH MOUNTING BRACKETS ASM5000 SERIES

EXCEPT AS NOTED TOLERANCES SHALL BE:

1 PLACE FABRICATION ± 1.5

1 PLACE MACHINING ± 0.3

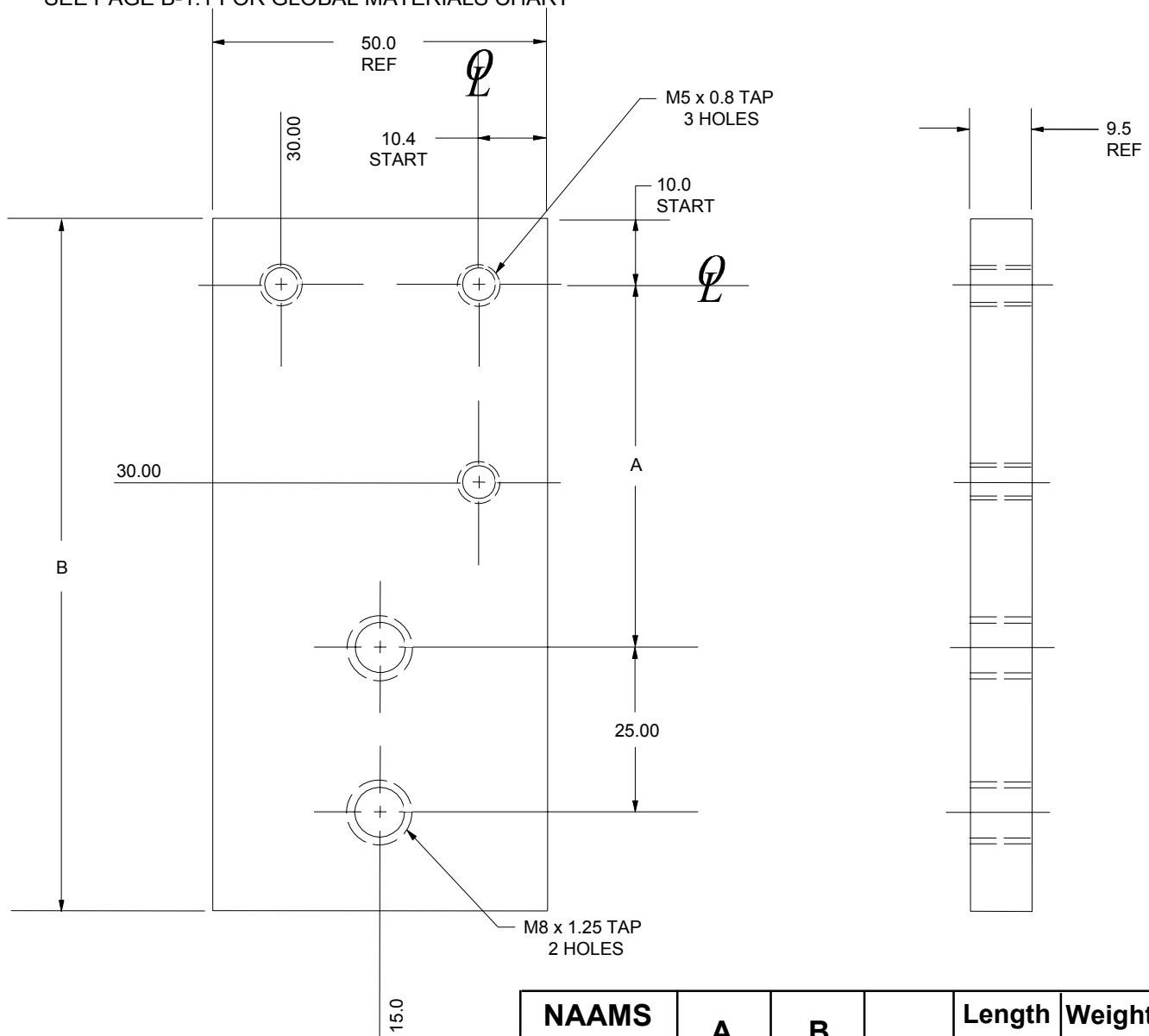
2 PLACE BETWEEN HOLES ± 0.13

MATERIAL: STEEL ASTM A-36

SEE PAGE B-1.1 FOR GLOBAL MATERIALS CHART

BLACK OXIDE
OR PAINT

C



NAAMS CODE	A	B	kg/m	Length mm	Weight kg
ASM5050	50.0	100.0	3.80	100	0.38
ASM5060	60.0	110.0	3.80	110	0.42
ASM5070	70.0	120.0	3.80	120	0.46
ASM5080	80.0	130.0	3.80	130	0.49
ASM5090	90.0	140.0	3.80	140	0.53
ASM5100	100.0	150.0	3.80	150	0.57
ASM5110	110.0	160.0	3.80	160	0.61

MAT'L: $\frac{3}{8}$ " x 2" x "B" LG.

B

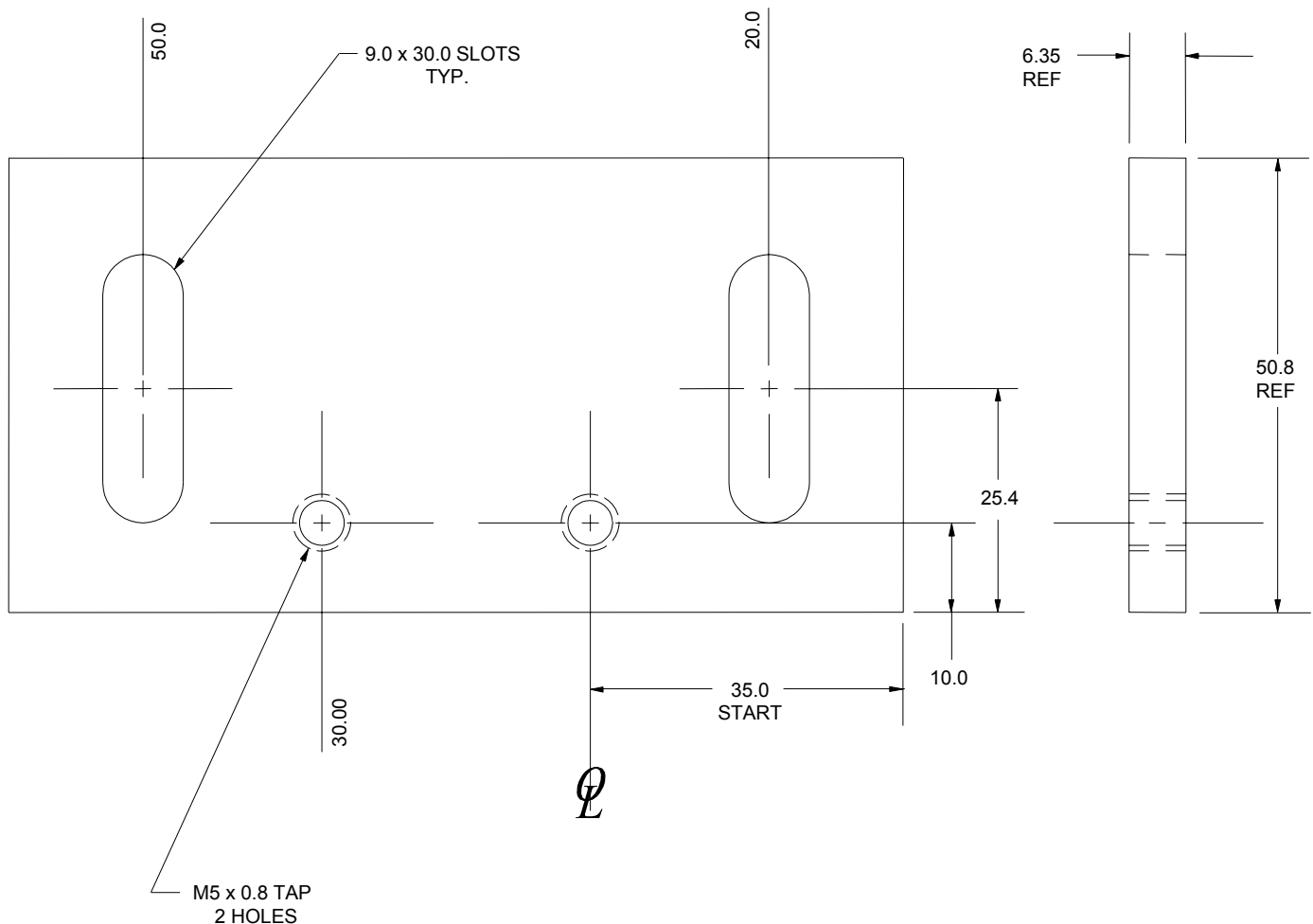
A

SWITCH MOUNTING BRACKETS ASM6015

EXCEPT AS NOTED TOLERANCES SHALL BE:
 1 PLACE FABRICATION ± 1.5
 1 PLACE MACHINING ± 0.3
 2 PLACE BETWEEN HOLES ± 0.13
 MATERIAL: STEEL ASTM A-36
 SEE PAGE B-1.1 FOR GLOBAL MATERIALS CHART

BLACK OXIDE
OR PAINT

B



MAT'L: 1/4" x 2" x 100.0mm LG.

NAAMS CODE	kg/m	Length mm	Weight kg
ASM6015	2.54	100	0.25

A

SWITCH ADAPTOR BRACKETS ASA1000 SERIES

EXCEPT AS NOTED TOLERANCES SHALL BE:

1 PLACE FABRICATION ± 1.5

1 PLACE MACHINING ± 0.3

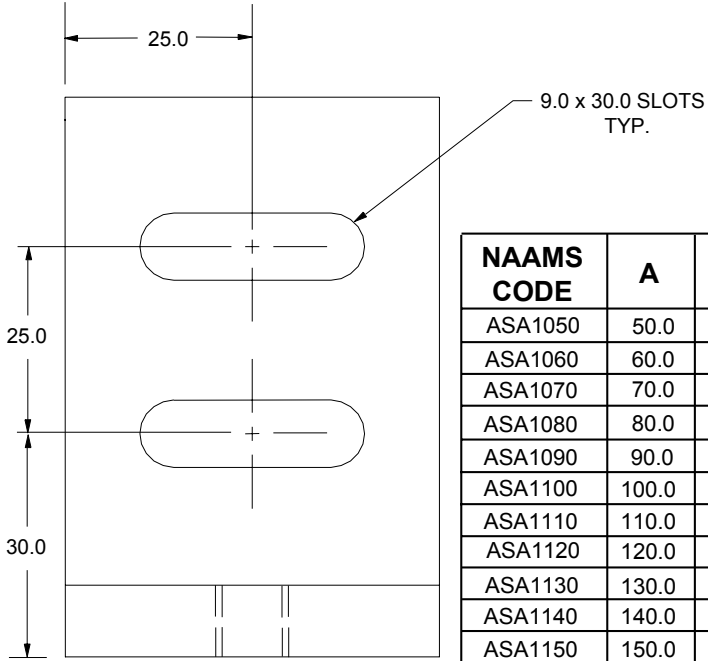
2 PLACE BETWEEN HOLES ± 0.13

MATERIAL: STEEL ASTM A-36

SEE PAGE B-1.1 FOR GLOBAL MATERIALS CHART

BLACK OXIDE
OR PAINT

D

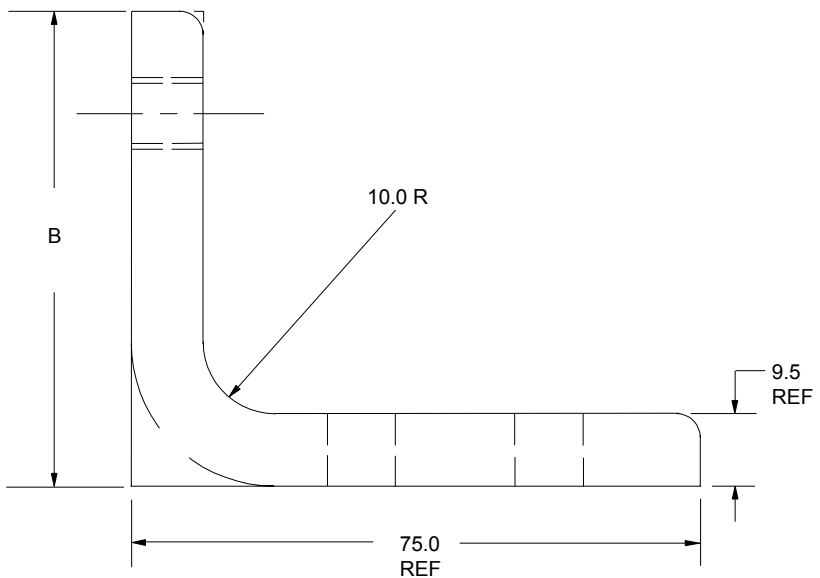
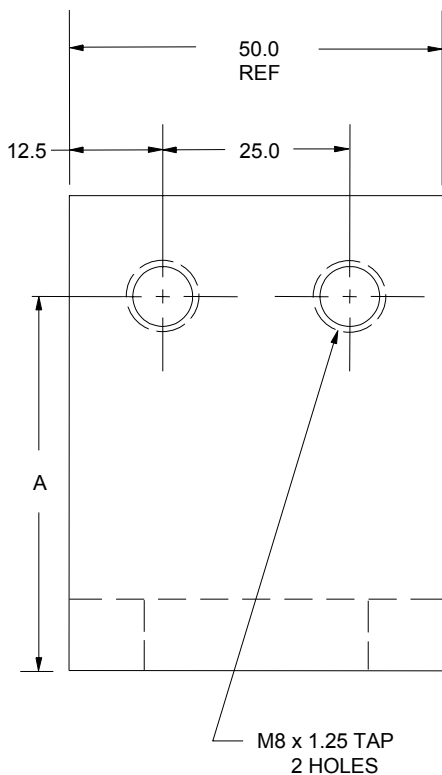


NAAMS CODE	A	B	STOCK LIST	kg/m	Length mm	Weight kg
ASA1050	50.0	63.5	3" x 2½" x ⅜" x 50mm LG.	9.82	50	0.49
ASA1060	60.0	76.2	3" x 3" x ⅜" x 50mm LG.	10.71	50	0.54
ASA1070	70.0	88.9	3" x 3½" x ⅜" x 50mm LG.	11.68	50	0.58
ASA1080	80.0	95.0	⅜" x 2" x 152.0mm LG.	3.80	152	0.58
ASA1090	90.0	105.0	⅜" x 2" x 162.0mm LG.	3.80	162	0.62
ASA1100	100.0	115.0	⅜" x 2" x 172.0mm LG.	3.80	172	0.65
ASA1110	110.0	125.0	⅜" x 2" x 182.0mm LG.	3.80	182	0.69
ASA1120	120.0	135.0	⅜" x 2" x 192.0mm LG.	3.80	192	0.73
ASA1130	130.0	145.0	⅜" x 2" x 202.0mm LG.	3.80	202	0.77
ASA1140	140.0	155.0	⅜" x 2" x 212.0mm LG.	3.80	212	0.81
ASA1150	150.0	165.0	⅜" x 2" x 222.0mm LG.	3.80	222	0.84

A

B

C

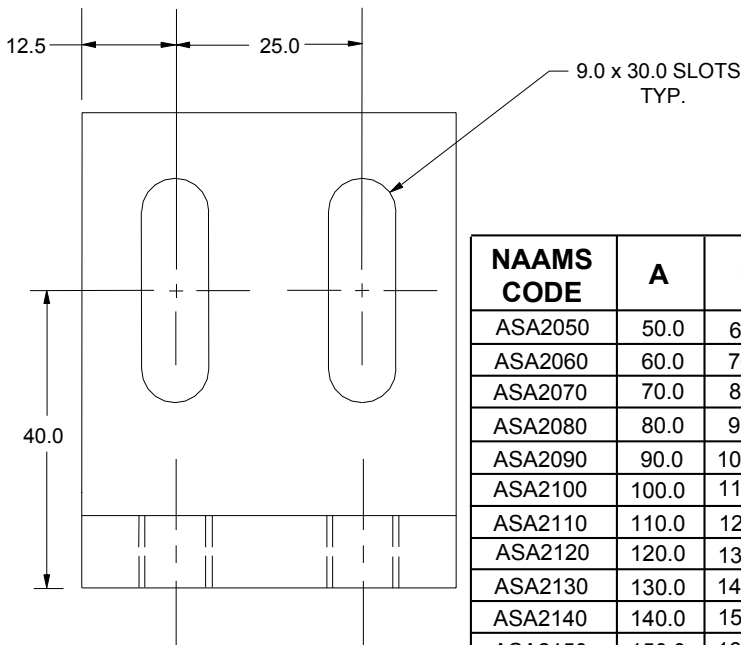


SWITCH ADAPTOR BRACKETS ASA2000 SERIES

EXCEPT AS NOTED TOLERANCES SHALL BE:
1 PLACE FABRICATION ± 1.5
1 PLACE MACHINING ± 0.3
2 PLACE BETWEEN HOLES ± 0.13
MATERIAL: STEEL ASTM A-36
SEE PAGE B-1.1 FOR GLOBAL MATERIALS CHART

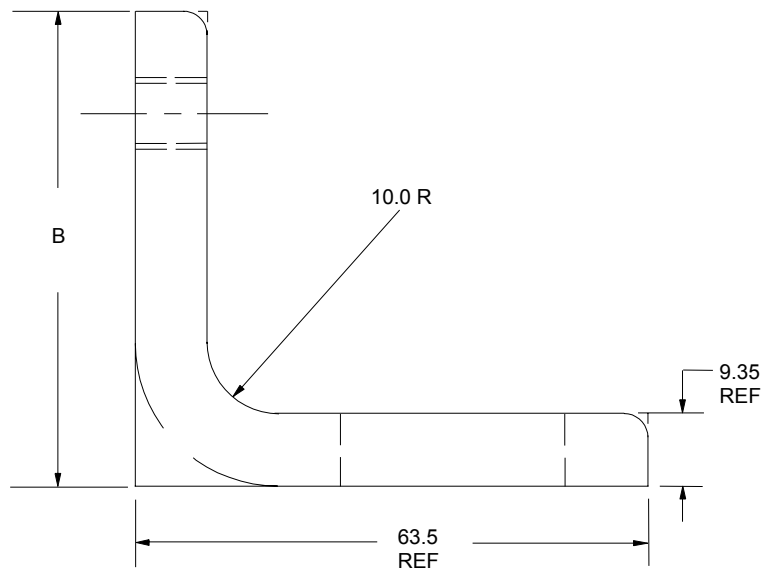
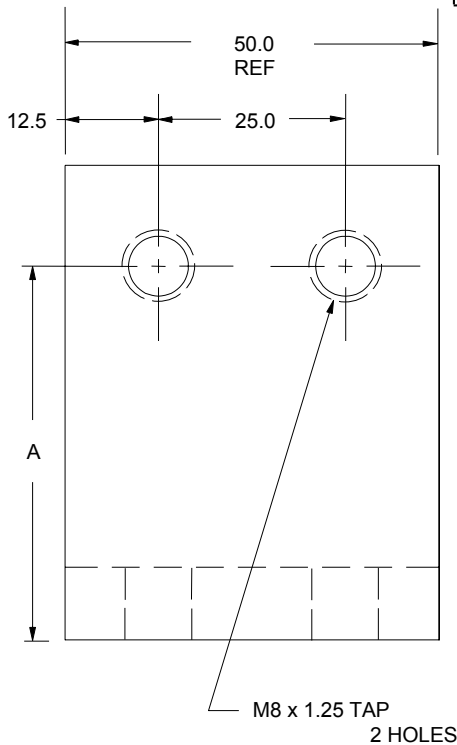
BLACK OXIDE
OR PAINT

D



NAAMS CODE	A	B	STOCK LIST	kg/m	Length mm	Weight kg
ASA2050	50.0	63.5	2 1/2" x 2 1/2" x 3/8" x 50mm LG.	8.78	50	0.44
ASA2060	60.0	76.2	2 1/2" x 3" x 3/8" x 50mm LG.	9.82	50	0.49
ASA2070	70.0	88.9	2 1/2" x 3 1/2" x 3/8" x 50mm LG.	11.68	50	0.58
ASA2080	80.0	95.0	3/8" x 2" x 140.0mm LG.	3.80	140	0.53
ASA2090	90.0	105.0	3/8" x 2" x 150.0mm LG.	3.80	150	0.57
ASA2100	100.0	115.0	3/8" x 2" x 160.0mm LG.	3.80	160	0.61
ASA2110	110.0	125.0	3/8" x 2" x 170.0mm LG.	3.80	170	0.65
ASA2120	120.0	135.0	3/8" x 2" x 180.0mm LG.	3.80	180	0.68
ASA2130	130.0	145.0	3/8" x 2" x 190.0mm LG.	3.80	190	0.72
ASA2140	140.0	155.0	3/8" x 2" x 200.0mm LG.	3.80	200	0.76
ASA2150	150.0	165.0	3/8" x 2" x 210.0mm LG.	3.80	210	0.80

A
B
C



SWITCH ADAPTOR BRACKETS ASA3000 SERIES

EXCEPT AS NOTED TOLERANCES SHALL BE:

1 PLACE FABRICATION ± 1.5

1 PLACE MACHINING ± 0.3

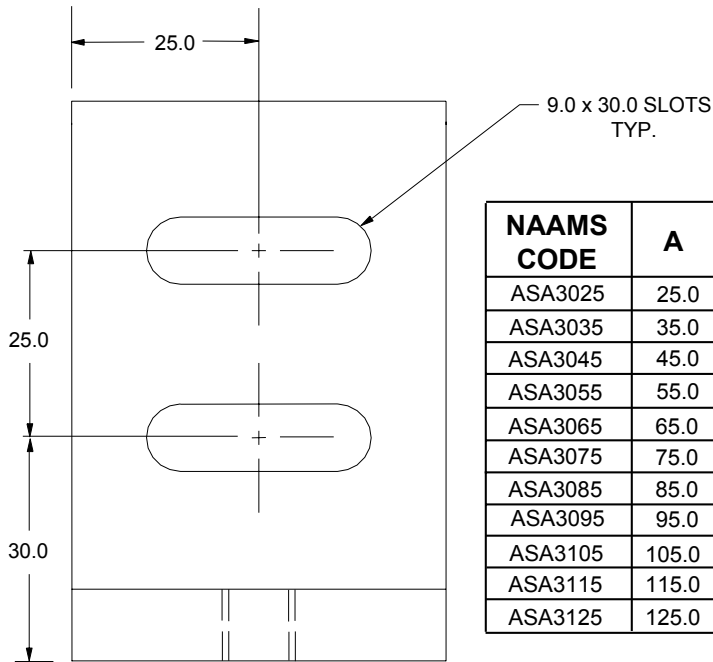
2 PLACE BETWEEN HOLES ± 0.13

MATERIAL: STEEL ASTM A-36

SEE PAGE B-1.1 FOR GLOBAL MATERIALS CHART

BLACK OXIDE
OR PAINT

D

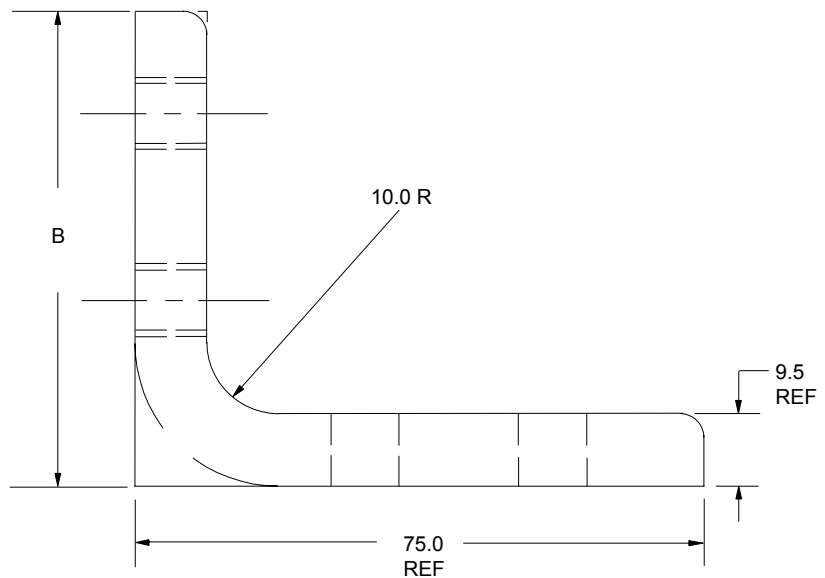
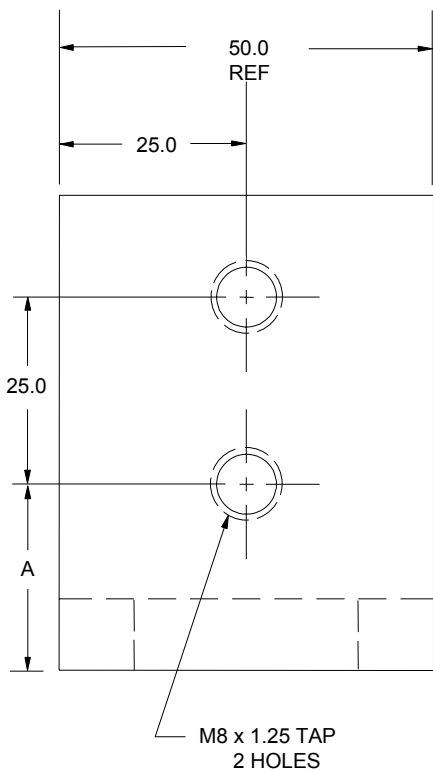


NAAMS CODE	A	B	STOCK LIST	kg/m	Length mm	Weight kg
ASA3025	25.0	63.5	3" x 2 1/2" x 3/8" x 50mm LG.	9.82	50	0.49
ASA3035	35.0	76.2	3" x 3" x 3/8" x 50mm LG.	10.71	50	0.54
ASA3045	45.0	88.9	3" x 3 1/2" x 3/8" x 50mm LG.	11.68	50	0.58
ASA3055	55.0	95.0	3/8" x 2" x 152.0mm LG.	3.80	152	0.58
ASA3065	65.0	105.0	3/8" x 2" x 162.0mm LG.	3.80	162	0.62
ASA3075	75.0	115.0	3/8" x 2" x 172.0mm LG.	3.80	172	0.65
ASA3085	85.0	125.0	3/8" x 2" x 182.0mm LG.	3.80	182	0.69
ASA3095	95.0	135.0	3/8" x 2" x 192.0mm LG.	3.80	192	0.73
ASA3105	105.0	145.0	3/8" x 2" x 202.0mm LG.	3.80	202	0.77
ASA3115	115.0	155.0	3/8" x 2" x 212.0mm LG.	3.80	212	0.81
ASA3125	125.0	165.0	3/8" x 2" x 222.0mm LG.	3.80	222	0.84

A

B

C



SWITCH ADAPTOR BRACKETS ASA4000 SERIES

EXCEPT AS NOTED TOLERANCES SHALL BE:

1 PLACE FABRICATION ± 1.5

1 PLACE MACHINING ± 0.3

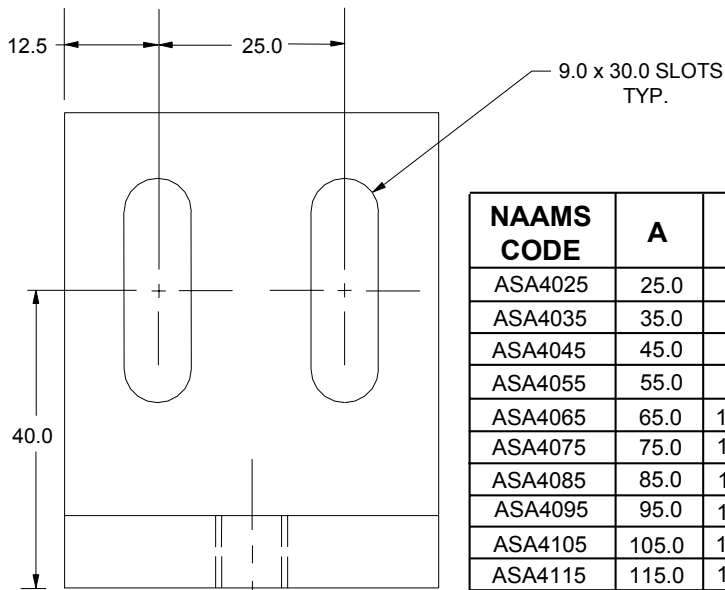
2 PLACE BETWEEN HOLES ± 0.13

MATERIAL: STEEL ASTM A-36

SEE PAGE B-1.1 FOR GLOBAL MATERIALS CHART

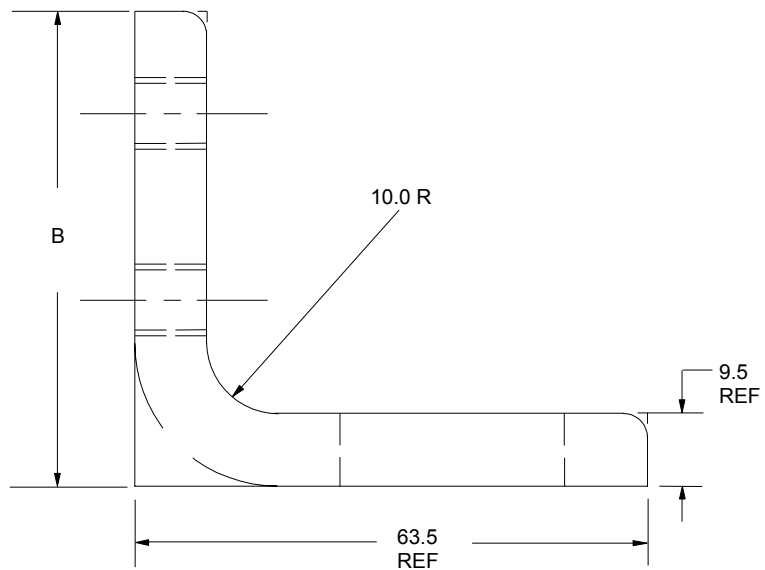
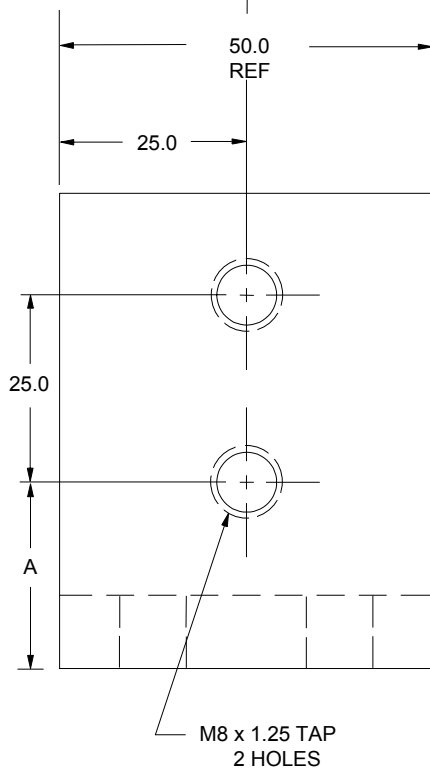
BLACK OXIDE
OR PAINT

E



NAAMS CODE	A	B	STOCK LIST	kg/m	Length mm	Weight kg
ASA4025	25.0	63.5	2 1/2" x 2 1/2" x 3/8" x 50mm LG.	8.78	50	0.44
ASA4035	35.0	76.2	2 1/2" x 3" x 3/8" x 50mm LG.	9.82	50	0.49
ASA4045	45.0	88.9	2 1/2" x 3 1/2" x 3/8" x 50mm LG.	11.68	50	0.58
ASA4055	55.0	95.0	3/8" x 2" x 140.0mm LG.	3.80	140	0.53
ASA4065	65.0	105.0	3/8" x 2" x 150.0mm LG.	3.80	150	0.57
ASA4075	75.0	115.0	3/8" x 2" x 160.0mm LG.	3.80	160	0.61
ASA4085	85.0	125.0	3/8" x 2" x 170.0mm LG.	3.80	170	0.65
ASA4095	95.0	135.0	3/8" x 2" x 180.0mm LG.	3.80	180	0.68
ASA4105	105.0	145.0	3/8" x 2" x 190.0mm LG.	3.80	190	0.72
ASA4115	115.0	155.0	3/8" x 2" x 200.0mm LG.	3.80	200	0.76
ASA4125	125.0	165.0	3/8" x 2" x 210.0mm LG.	3.80	210	0.80

A
B
D



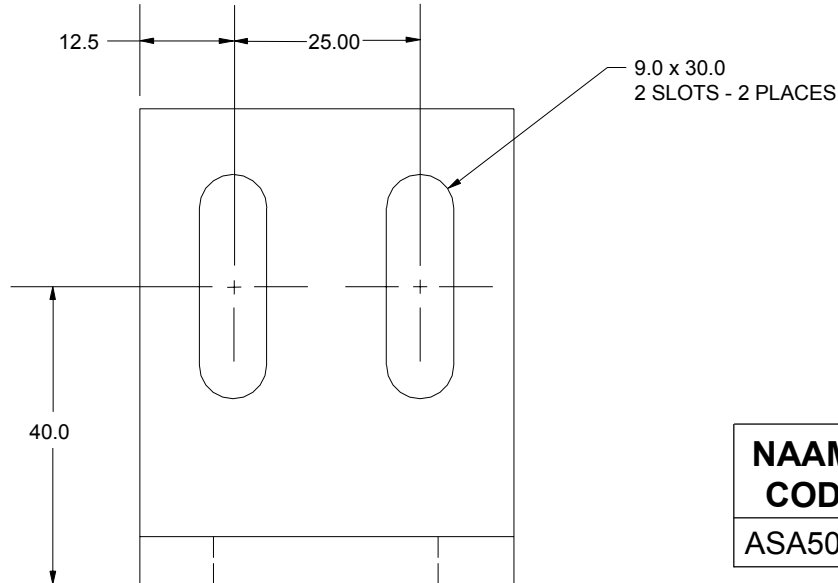
C

SWITCH ADAPTOR BRACKETS ASA5025

EXCEPT AS NOTED TOLERANCES SHALL BE:
 1 PLACE FABRICATION ± 1.5
 1 PLACE MACHINING ± 0.3
 2 PLACE BETWEEN HOLES ± 0.13
 MATERIAL: STEEL ASTM A-36
 SEE PAGE B-1.1 FOR GLOBAL MATERIALS CHART

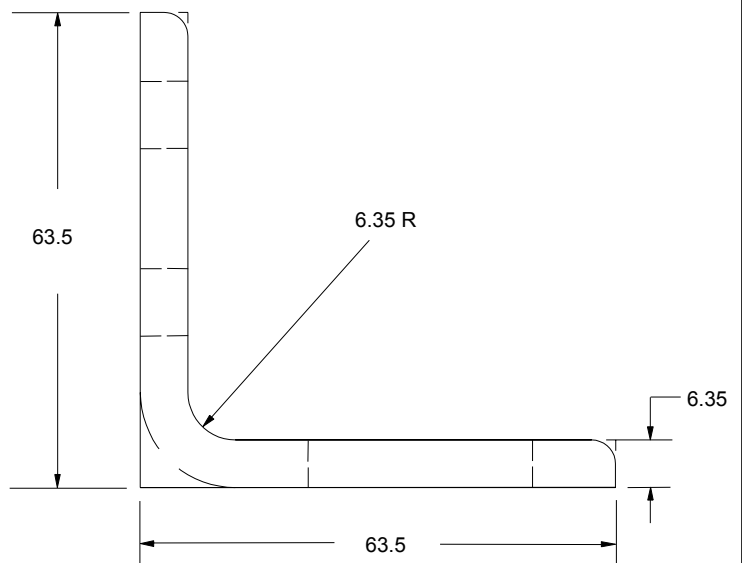
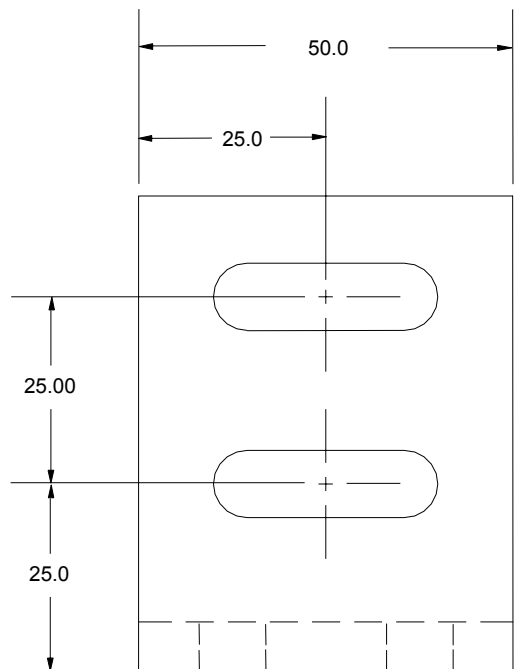
BLACK OXIDE
OR PAINT

B



NAAMS CODE	kg/m	Length mm	Weight kg
ASA5025	5.95	50	0.30

A

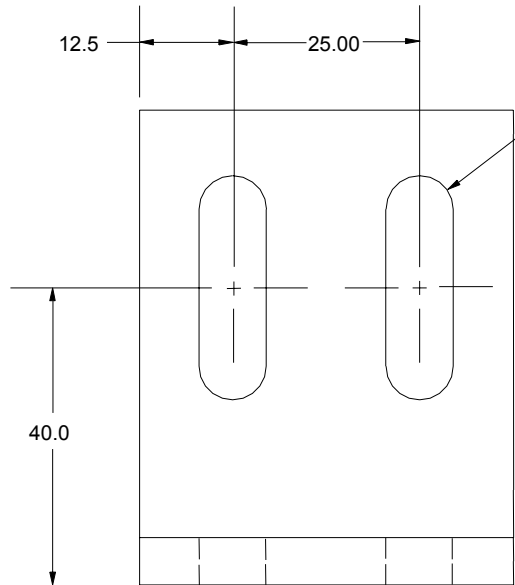


MAT'L: STL ANGLE $2\frac{1}{2}'' \times 2\frac{1}{2}'' \times \frac{1}{4}'' \times 50.0$ mm LG OR
 BENT STRAP $\frac{1}{4}'' \times 2'' \times 114.0$ mm LG

SWITCH ADAPTOR BRACKETS ASA6040

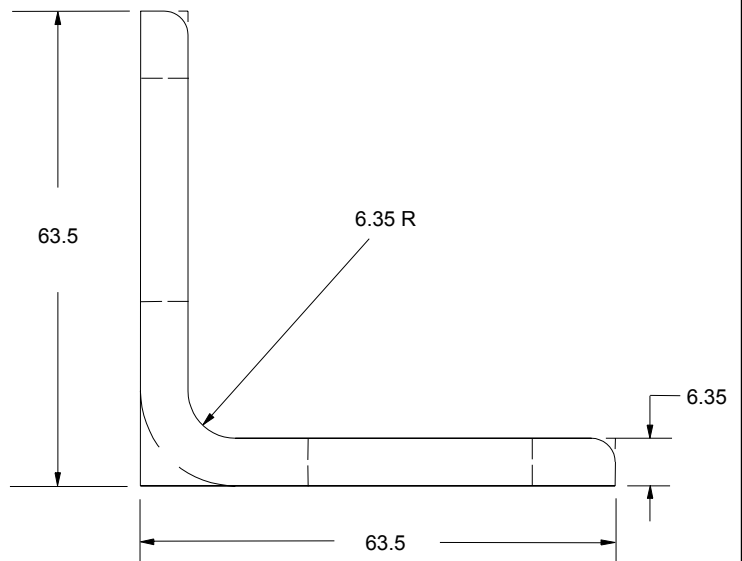
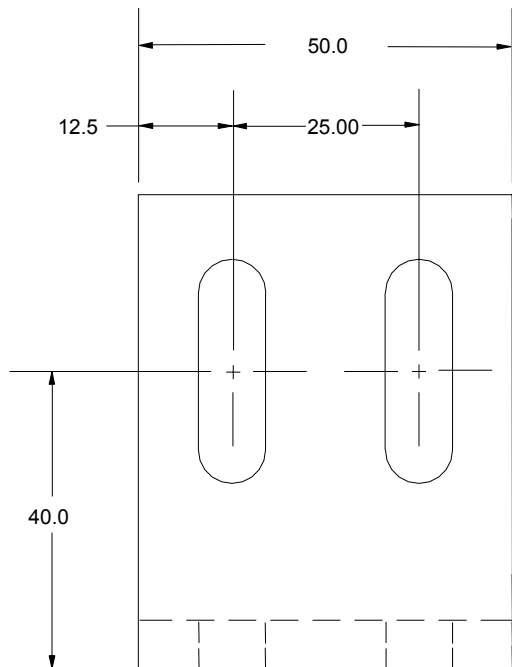
EXCEPT AS NOTED TOLERANCES SHALL BE:
1 PLACE FABRICATION ± 1.5
1 PLACE MACHINING ± 0.3
2 PLACE BETWEEN HOLES ± 0.13
MATERIAL: STEEL ASTM A-36
SEE PAGE B-1.1 FOR GLOBAL MATERIALS CHART

BLACK OXIDE
OR PAINT



9.0 x 30.0
2 SLOTS - 2 PLACES

NAAMS CODE	kg/m	Length mm	Weight kg
ASA6040	5.95	50	0.30



MAT'L: STL ANGLE 2½" x 2½" x ¼" x 50.0 mm LG OR
BENT STRAP ¼" x 2" x 114.0 mm LG

B

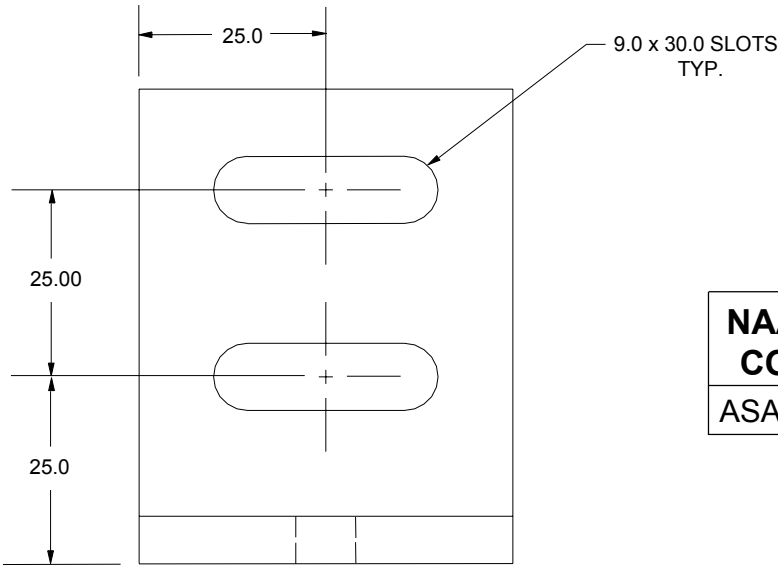
A

SWITCH ADAPTOR BRACKETS ASA7050

EXCEPT AS NOTED TOLERANCES SHALL BE:
 1 PLACE FABRICATION ± 1.5
 1 PLACE MACHINING ± 0.3
 2 PLACE BETWEEN HOLES ± 0.13
 MATERIAL: STEEL ASTM A-36
 SEE PAGE B-1.1 FOR GLOBAL MATERIALS CHART

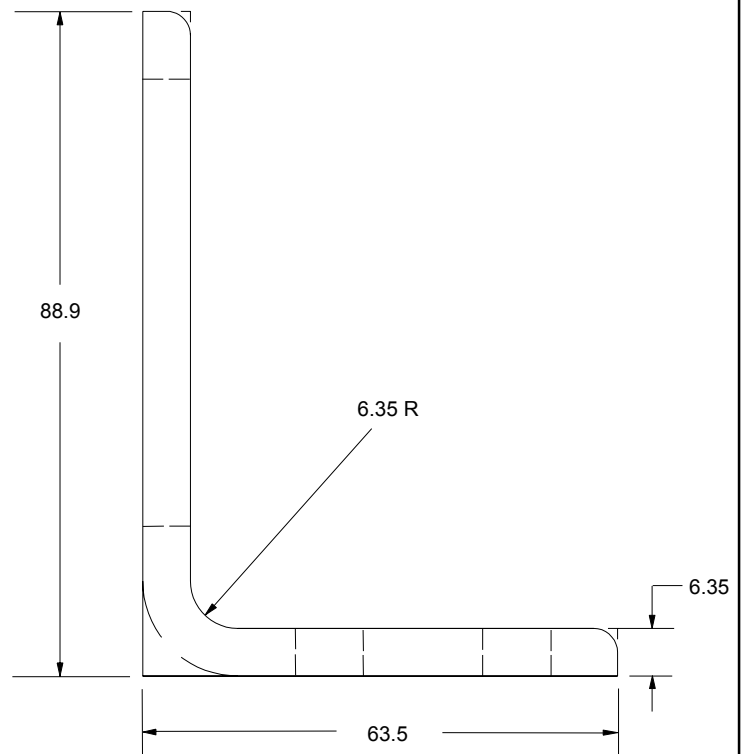
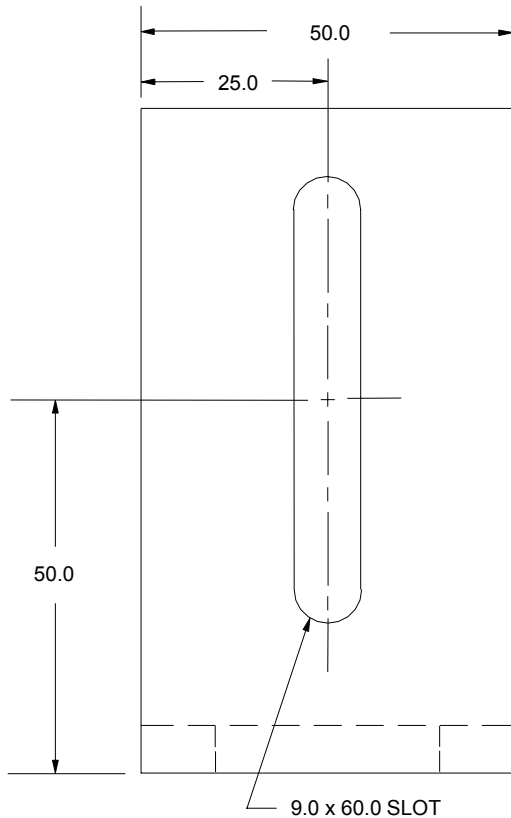
BLACK OXIDE
OR PAINT

B



NAAMS CODE	kg/m	Length mm	Weight kg
ASA7050	7.29	50	0.36

A



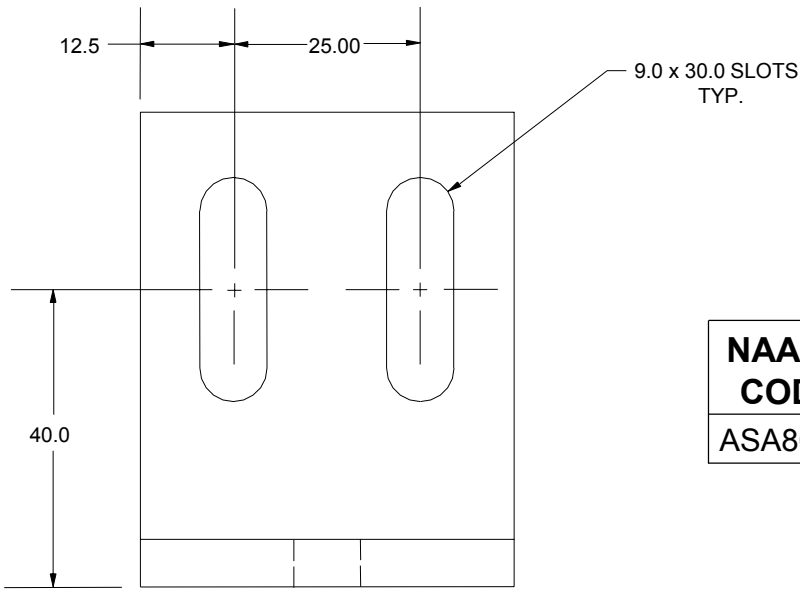
MAT'L: STL ANGLE $3\frac{1}{2}$ " x $2\frac{1}{2}$ " x $\frac{1}{4}$ " x 50.0 mm LG OR
 BENT STRAP $\frac{1}{4}$ " x 2" x 140.0 mm LG

SWITCH ADAPTOR BRACKETS ASA8050

EXCEPT AS NOTED TOLERANCES SHALL BE:
 1 PLACE FABRICATION ± 1.5
 1 PLACE MACHINING ± 0.3
 2 PLACE BETWEEN HOLES ± 0.13
 MATERIAL: STEEL ASTM A-36
 SEE PAGE B-1.1 FOR GLOBAL MATERIALS CHART

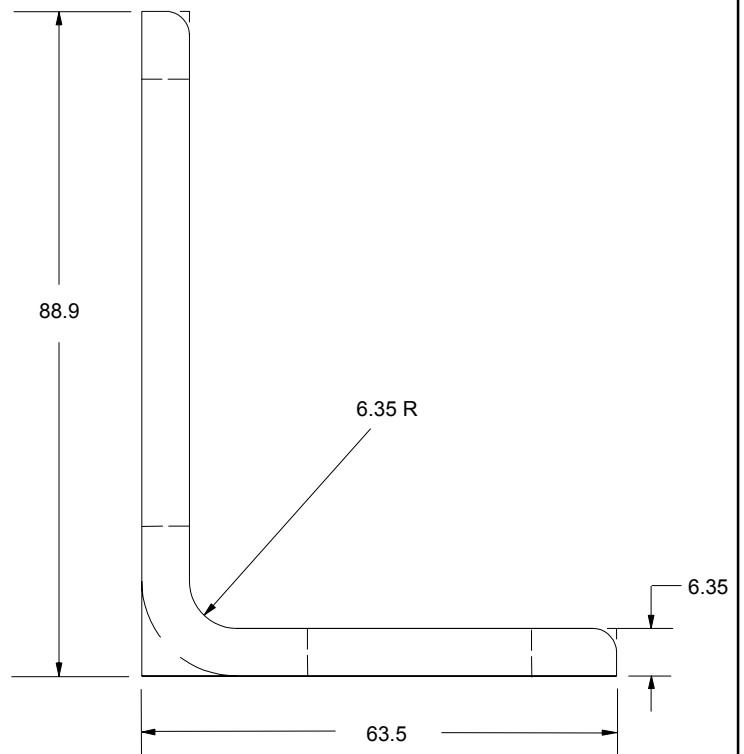
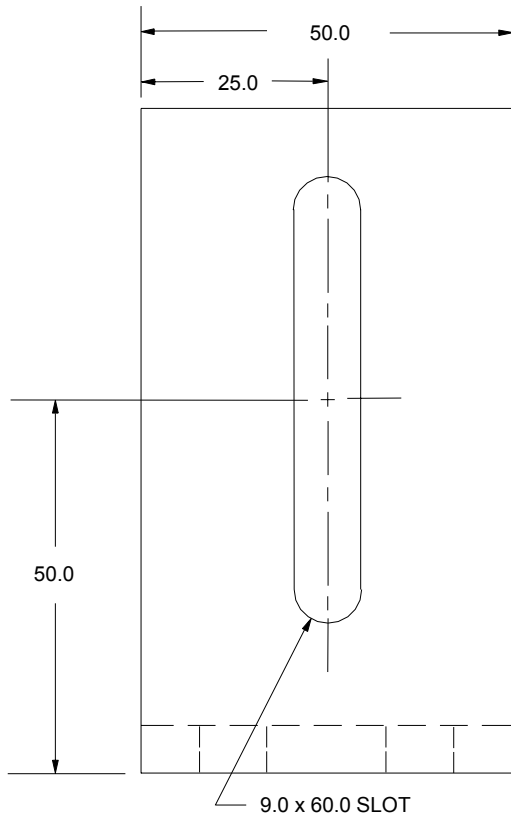
BLACK OXIDE
OR PAINT

B



NAAMS CODE	kg/m	Length mm	Weight kg
ASA8050	7.29	50	0.36

A



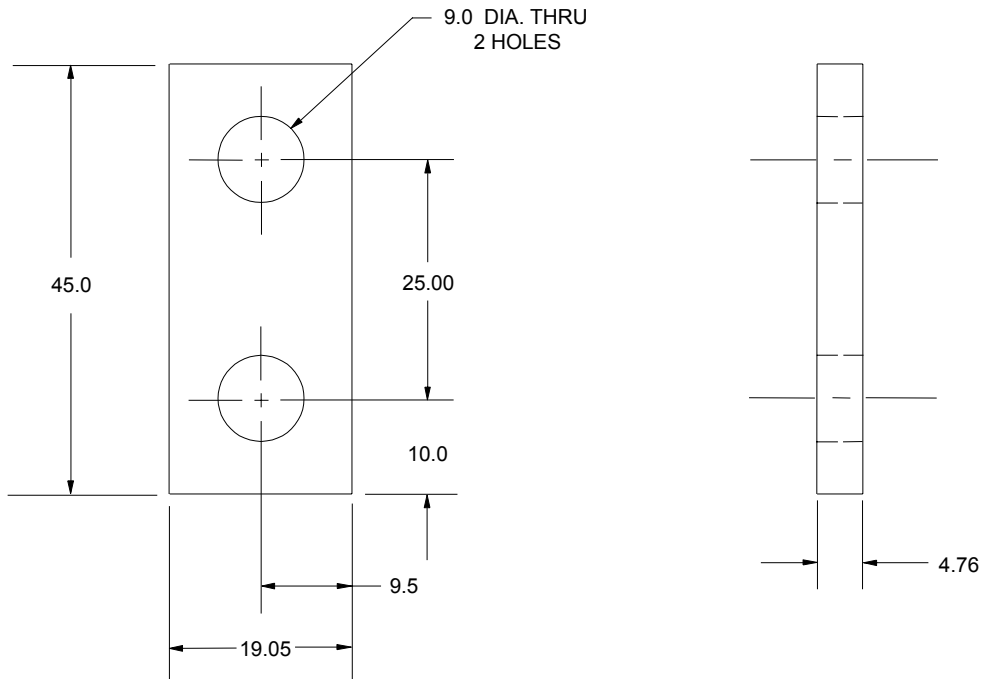
MAT'L: STL ANGLE 3½" x 2½" x ¼" x 50.0 mm LG OR
 BENT STRAP ¼" x 2" x 140.0 mm LG

SWITCH ADAPTOR BRACKET PLATE ASA9000

EXCEPT AS NOTED TOLERANCES SHALL BE:
 1 PLACE FABRICATION ± 1.5
 1 PLACE MACHINING ± 0.3
 2 PLACE BETWEEN HOLES ± 0.13
 MATERIAL: STEEL ASTM A-36
 SEE PAGE B-1.1 FOR GLOBAL MATERIALS CHART

BLACK OXIDE
OR PAINT

B



MAT'L: $\frac{3}{16}$ " x $\frac{3}{4}$ " x 45.0 mm LG

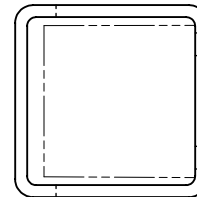
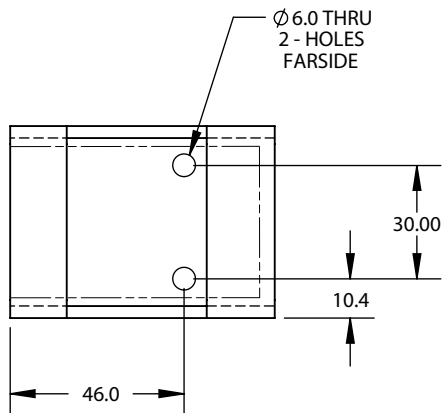
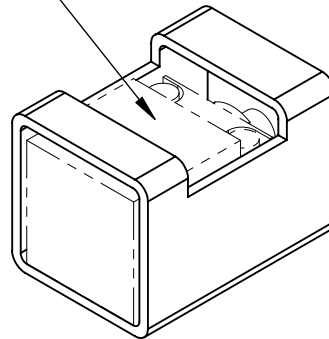
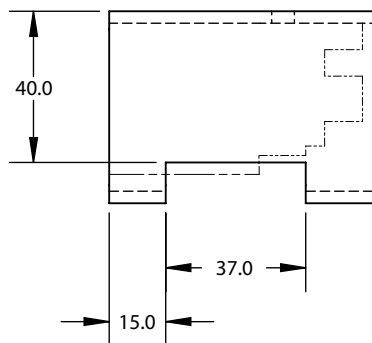
NAAMS CODE	kg/m	Length mm	Weight kg
ASA9000	0.71	45	0.03

A

SWITCH COVER ASC0001

EXCEPT AS NOTED TOLERANCES SHALL BE:
1 PLACE MACHINING ± 0.3
1 PLACE FABRICATION ± 1.5
2 PLACE ± 0.08 BETWEEN MACHINED SURFACES
 ± 0.13 TO SCREW HOLES, NON ACCUMULATIVE

40mm Cube Switch – End Sensing
(REF)

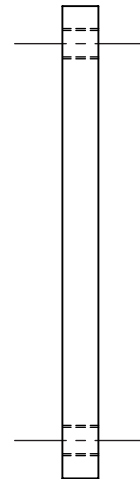
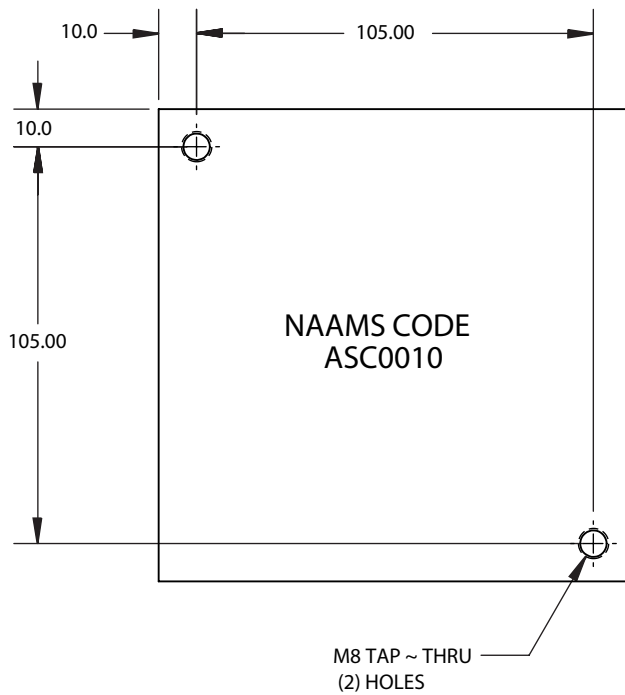


1 REQ'D – STL. TUBING STK: 2 X 2 X 0.125 W/T X 70 MM

TAP PAD ASC0010

EXCEPT AS NOTED TOLERANCES SHALL BE:

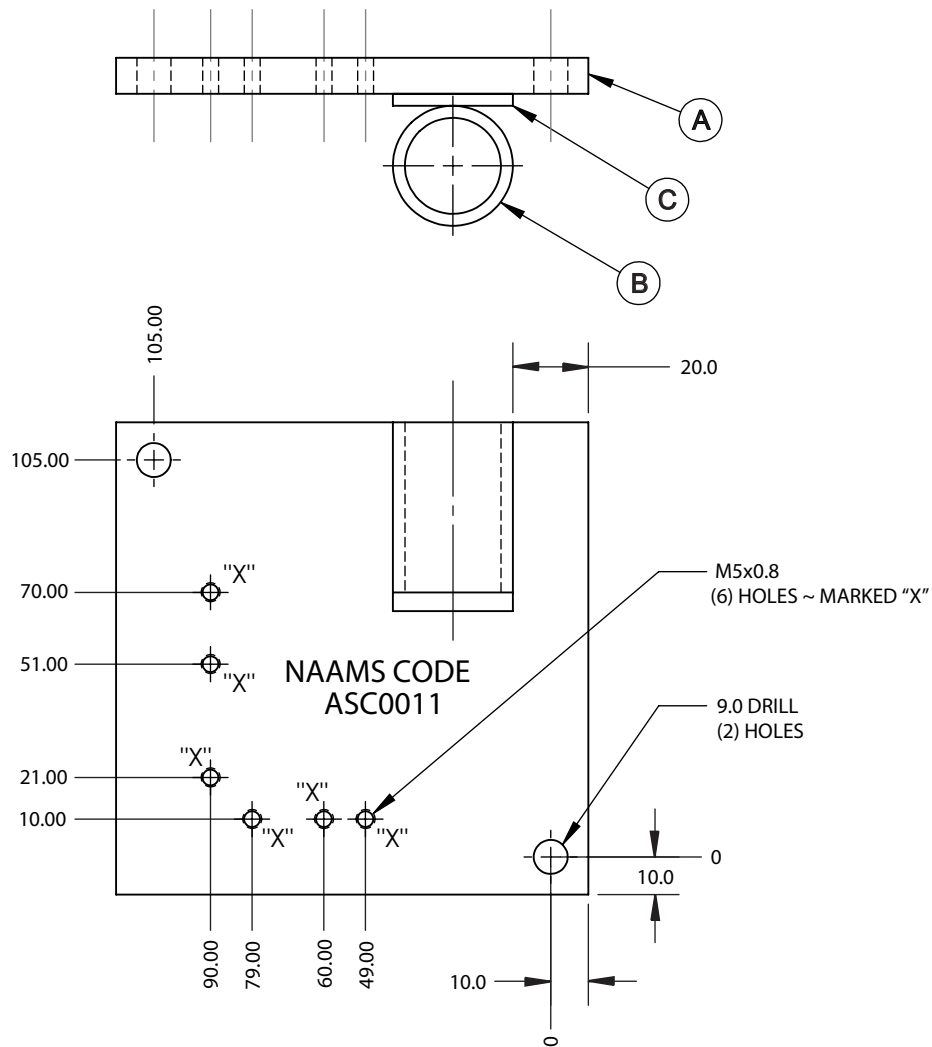
- 1 PLACE MACHINING ± 0.3
- 1 PLACE FABRICATION ± 1.5
- 2 PLACE ± 0.08 BETWEEN MACHINED SURFACES
 ± 0.13 TO SCREW HOLES, NON ACCUMULATIVE



TAP PAD - SAE 1020 - 3/8" x 5" x 125.0 mm

BASE ASC0011

EXCEPT AS NOTED TOLERANCES SHALL BE:
 1 PLACE MACHINING ± 0.3
 1 PLACE FABRICATION ± 1.5
 2 PLACE ± 0.08 BETWEEN MACHINED SURFACES
 ± 0.13 TO SCREW HOLES, NON ACCUMULATIVE



BASE - WELDED CONSTRUCTION

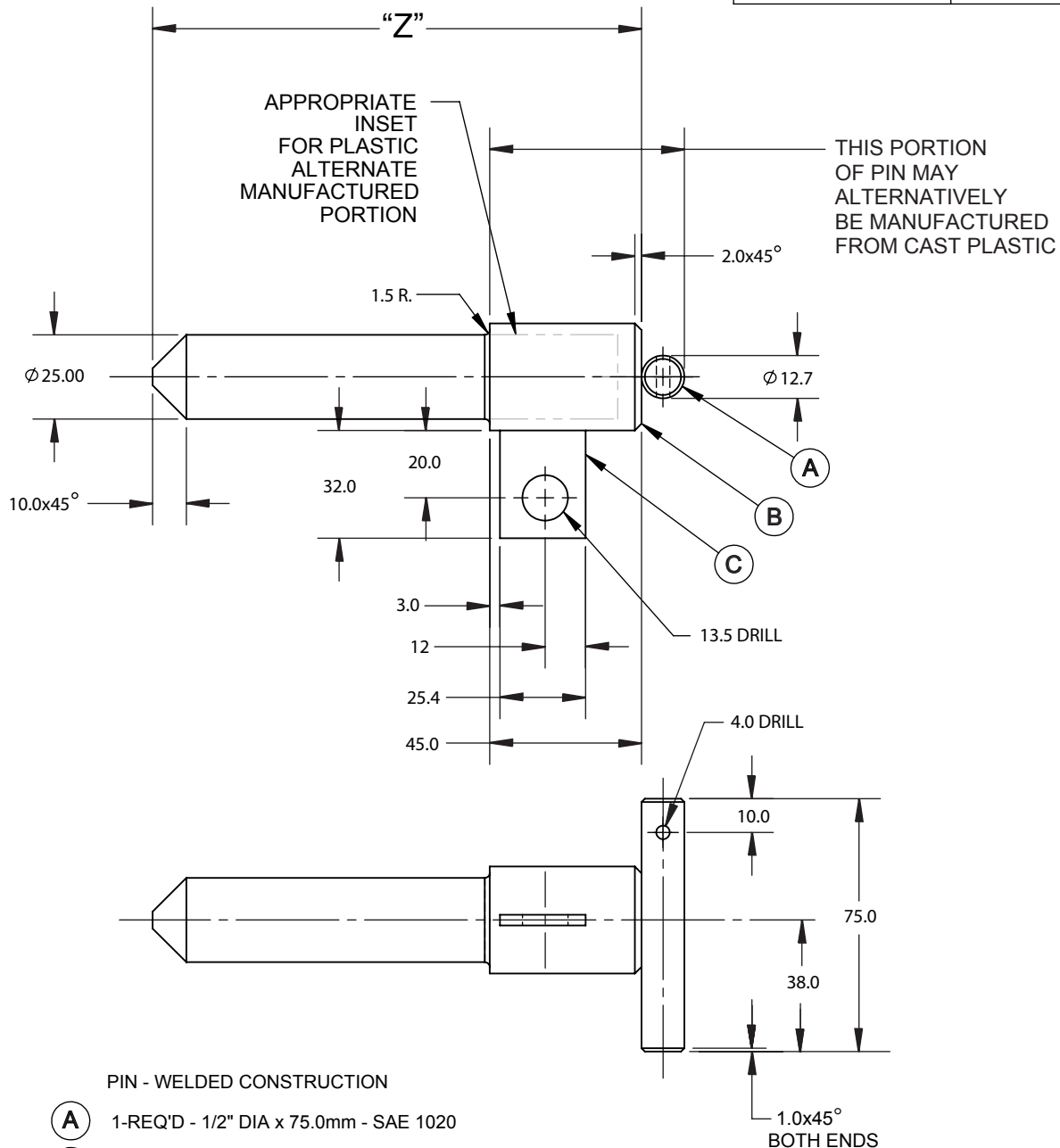
- (A) 1-REQ'D - 3/8" x 5" x 125.0mm - SAE 1018
- (B) 1-REQ'D - 1-1/4" OD x 1" ID x 45.0 mm - ASTM A 513 TYPE 5 DOM TUBING
- (C) 1-REQ'D - 1/8" x 1-1/4" x 50.0mm - SAE 1018

PIN

ASC0145, ASC0195, ASC0245™
ASC0195, ASC0345

EXCEPT AS NOTED TOLERANCES SHALL BE:
 1 PLACE MACHINING ± 0.3
 1 PLACE FABRICATION ± 1.5
 2 PLACE ± 0.08 BETWEEN MACHINED SURFACES
 ± 0.13 TO SCREW HOLES, NON ACCUMULATIVE

NAAMS CODE	"Z"
ASC0145	145.0
ASC0195	195.0
ASC0245	245.0
ASC0295	295.0
ASC0345	345.0



PIN - WELDED CONSTRUCTION

- (A) 1-REQ'D - 1/2" DIA x 75.0mm - SAE 1020
- (B) 1-REQ'D - 1-1/4" DIA x "Z" - SAE 4140
- (C) 1-REQ'D - 1/8" x 1" x 32.0mm - SAE 1020